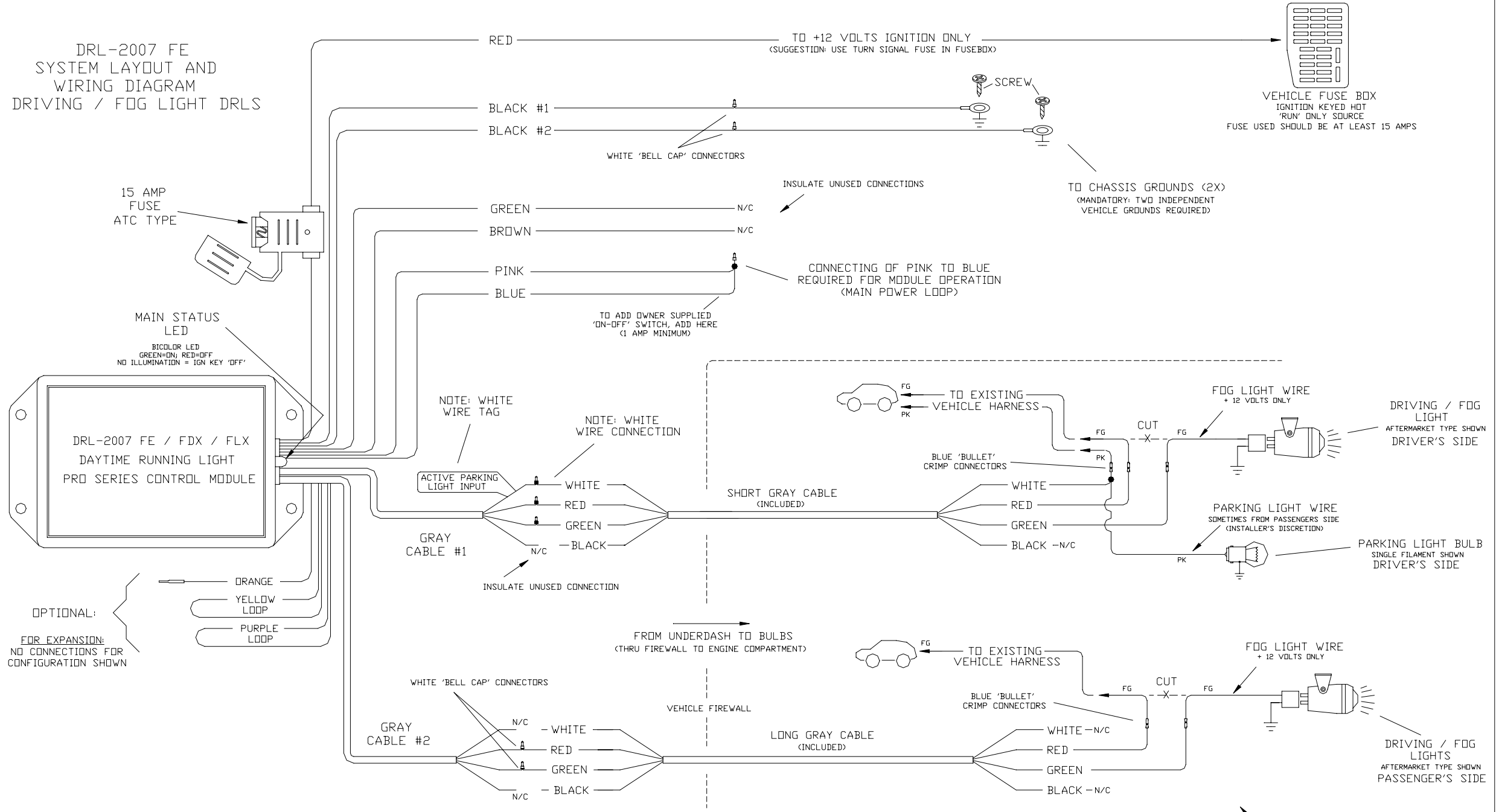


DRL-2007 FE
SYSTEM LAYOUT AND
WIRING DIAGRAM
DRIVING / FOG LIGHT DRLS



NOTE: IF VEHICLE FOG-HID EQUIPPED (TYPICALLY AFTERMARKET), SYSTEM MUST CONNECT TO FOG LIGHT WIRE SUPPLYING HID BALLAST NEVER CONNECT SYSTEM DIRECTLY TO A HID BULB!